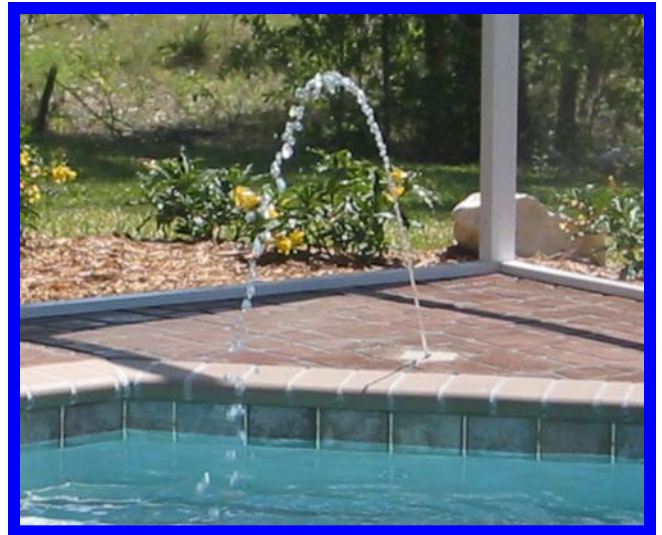
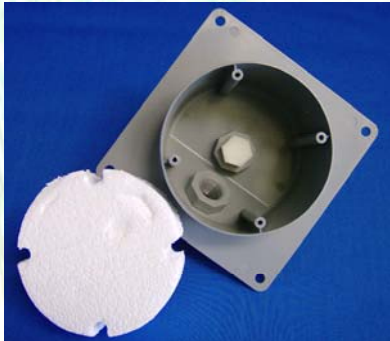


Aqua Stream

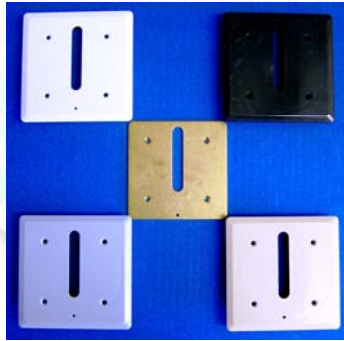


Aqua Stream Part # GA11_

The Aqua Stream jet is designed for installation in a deck (horizontal surface) or in a beam or wall (vertical surface).



Foam Insert, jet housing & test plug



Cover plates



Brass jet & test plug
Jet in 45 degree inlet



Brass jet & test plug
90 degree inlet

Aqua Stream Parts

Housing for installation of the jet with two inlet surfaces, use one for jet and one for drain line

Adjustable brass jet with water smoothing insert

Self Leveling Cover Plate eliminates need for touch up

Threaded Plug (3/8" MIP)

Use for pressure testing

Foam protective insert for use during Construction

Cover plates -White, Black, Gray, Tan & Brass

Painted brass cover mounting screws



Jet with Brass Cover

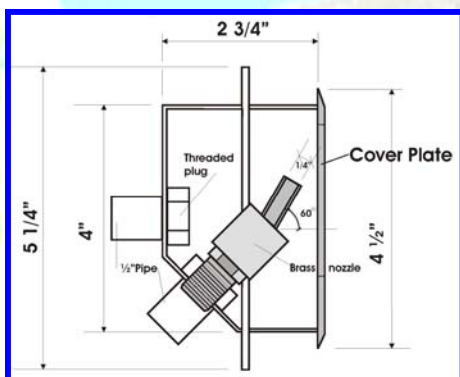


Self leveling ring featured on all jet covers for improved Appearance and labor savings



Jet with Plastic cover

Aqua Stream specifications



Distance of Stream*	6'	12'	19'	25'
Feet of head	4'	8'	12'	16'
GPM	2	3	3.7	4.4
*Stream distance @ 45 degree angle of projection				

Mailing Address:
P.O. Box 5375 Spring Hill, FL 34611
Shipping address:
18755 Sakera Road
Hudson, FL 34667



Toll Free 888-683-0042
Toll Free Fax 877-683-3442
Email sales@gawcinc.com
www.gawcinc.com