

Aqua Storm SSR Order Form (GA08)

Date _____

Builder Name _____

Distributor/Contact _____

Phone Number _____

Phone Number _____

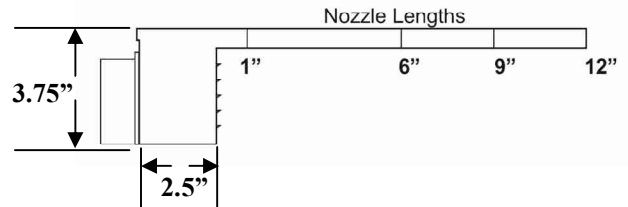
Fax Number _____

Fax Number _____

A- What is the size of the unit? _____ (Ft.)
 (Maximum size of a standard unit is 8 ft.)

B- What is the length of the nozzle? _____ (In.)

C- What color nozzle do you need? White Gray
 (Circle One) Black Tan

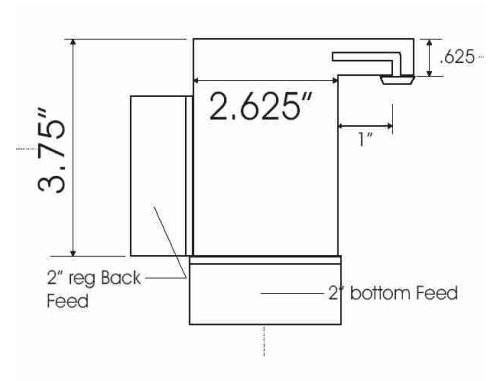


D- Circle one: Back Feed or Bottom Feed

E- How many of these units do you need? _____

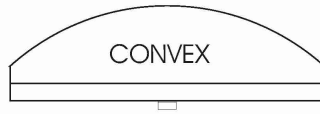
GPM = .5GPM/Inch

Strainer/Filter Required



Radius Cut Option—Additional Charge

F- Which Radius Profile Below do you need? Circle and specify Radius Measurement.



Radius Measurement	
_____ ft.	_____ in.
If radius is custom, send a template	

To Be Completed by: <i>The Great American Waterfall Company</i>		
GA08		
Product Number	Price	Availability



P.O. Box 5375—Spring Hill, FL 34611
 Ph: 888-683-0042
 Fax: 877-683-3442
 Email: sales@gawcinc.com
 www.gawcinc.com