

Aqua Rain Guideline Form (GA03)

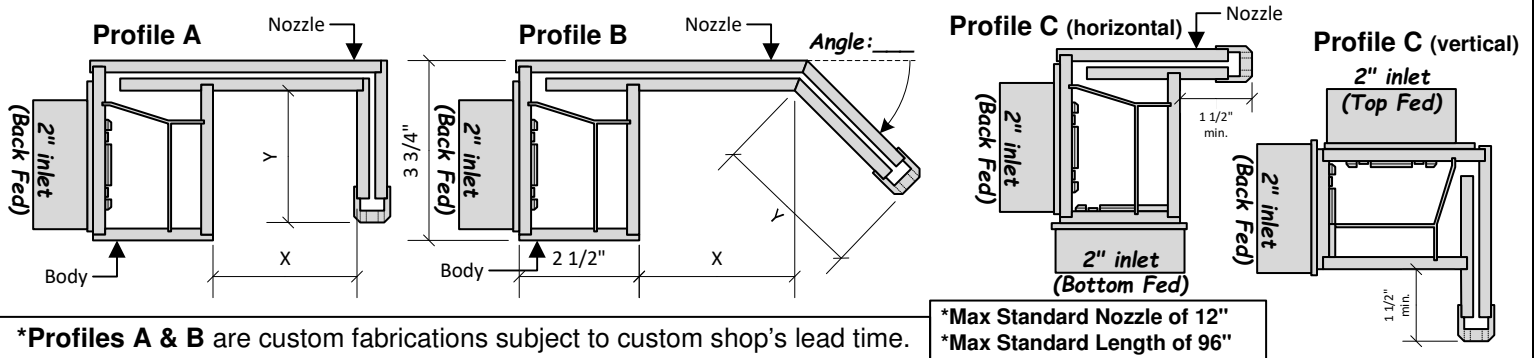
Rev. 1/10/24

Date: / /

Builder Name:	Dist.:
Job Name:	Contact:
Phone:	Phone:
Email:	Email:

Application descriptions:

Profile A is the traditional Rain Fall application where nozzle is installed over a structural member.
Profile B is this same Rain Fall application where the nozzle angle is required to modify the direction of water.
Profile C is the shorter nozzle application formerly known as the Shower for more compact Rain fixture applications.



***Profiles A & B are custom fabrications subject to custom shop's lead time.** ***Max Standard Nozzle of 12"**
***Max Standard Length of 96"**

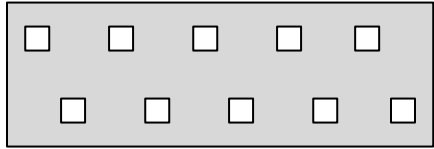
1. Which Profile: _____	5. If Profile "C" (circle): Horizontal Vertical
2. Unit Length: _____	6. Back Fed or Bottom Fed (circle): Back Bottom Top
3. Nozzle Length: _____ (Profile C)	7. "X" Length: _____ "Y" Length: _____ (Profile A & B)
4. How many units do you need: _____	8. Angle of Nozzle: _____ (Profile B)

Circle a Nozzle Color:

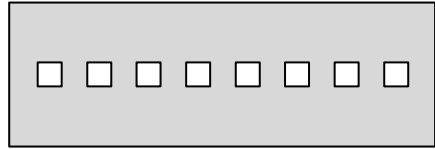
White Black Gray Tan
(circle one)

Bronze Silver Copper

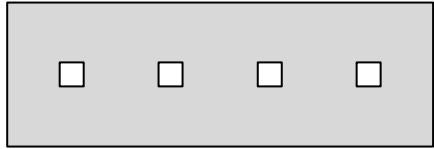
Circle One:



SDR .67 gpm/in.
Minimum nozzle length = 1 1/2"



SSR .5 gpm/in.
Minimum nozzle length = 1 1/8"



SSR .25 gpm/in.
Minimum nozzle length = 1 1/8"

<input type="checkbox"/> PAL LED color changing lighting strip to down light ribbon of water from fixture <small>(check box)</small>	<input type="checkbox"/> PAL integrating Driver/transformer <small>(check box)</small>
--	--

***Mounting Tabs w/Gussets may be required for installation; please schedule a consult for details**
***Every fixture can be fabricated on the radius of the structure; ask us about it!**

	P.O. Box 5375 Spring Hill, FL 34611 Ph: (888) 683-0042 Fax: (877) 683-3442 Email: sales@gawcinc.com www.gawcinc.com	To Be Completed by: Great American Waterfall Co.		
		Product Number	Price	Availability