

Aqua Zero Turf Edge Guideline Form (ZEK03)

Date: / /

Builder Name (REQUIRED):

Dist.:

Job Name (REQUIRED):

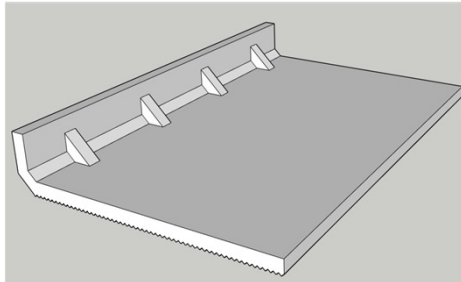
Contact:

Phone:

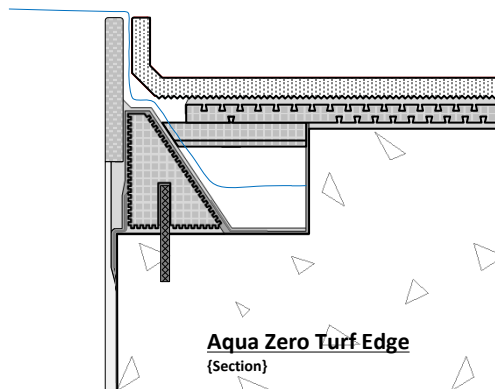
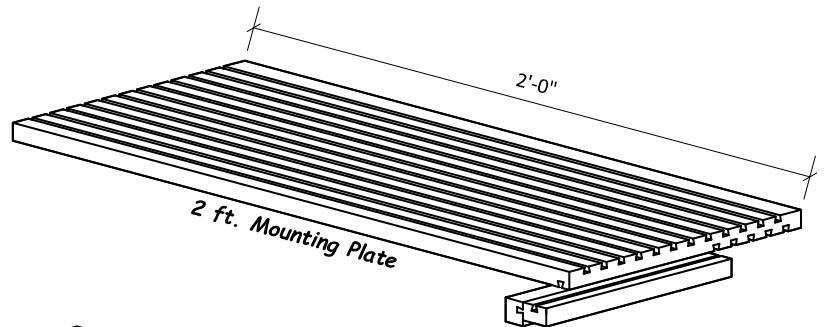
Phone:

Email:

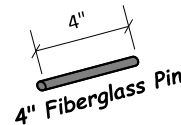
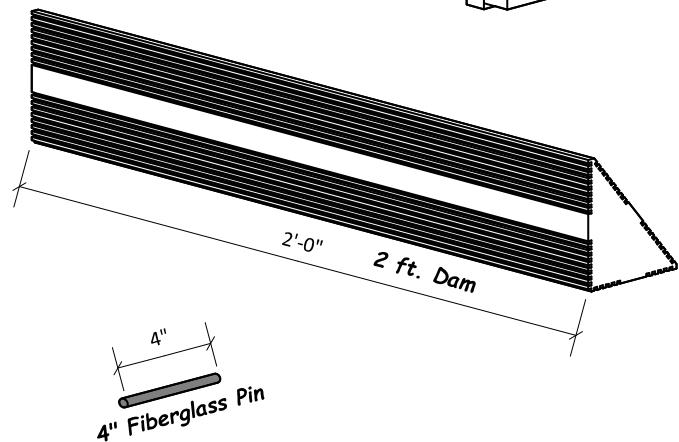
Email:



Aqua Zero Turf Edge FRC Plate
{3D Model}



Aqua Zero Turf Edge
{Section}



Application descriptions:

- 1. Aqua Zero Turf Edge** system is provided in 2ft increments per unit. Each unit is boxed to include "Dam," "Mounting Plate(s)," & 4" fiberglass "Pins" to install a 2ft section of the perimeter. 24" custom concrete plates for turf install shipped seperately.
- Units provided for **Geometric Pool/Spa** applications will shipped as single 2ft sections.
- Custom concrete Turf plates are fabricated & shipped seperately.

Geometric Pool/Spa:

Perimeter of Zero Edge: _____ \div 2 (ft./unit) = _____ units + 1 (per 20 units) = _____ total units

By GAWC:

Calculated perimeter of Zero Edge: _____ \div 2 (ft./unit) = _____ units + 1 (per 20 units) = _____ total units

***Custom builds for larger format sections of units available upon request. Price to include templating, fabrication, & then shipping.**

*Aqua Zero Edge system and its installation method has a proven track record. AZE system requires the application of third party product. Though integral to the system, failure of third party product does not constitute a failure in the Aqua Zero Edge system.

*Zero Edge systems are highly complex hydraulic systems. GAWC is not liable nor responsible for the design or inadequacies of design for the zero edge project where the system is installed.



P.O. Box 5375 Spring Hill, FL 34611
Ph: (888) 683-0042
Fax: (877) 683-3442
Email: sales@gawcinc.com
www.gawcinc.com

To Be Completed by: Great American Waterfall Co. **Release 4/2020**

Product Number

Price

Availability