

# Aqua Storm Guideline Form (GA07)

Rev. 1/10/24

Date: / /

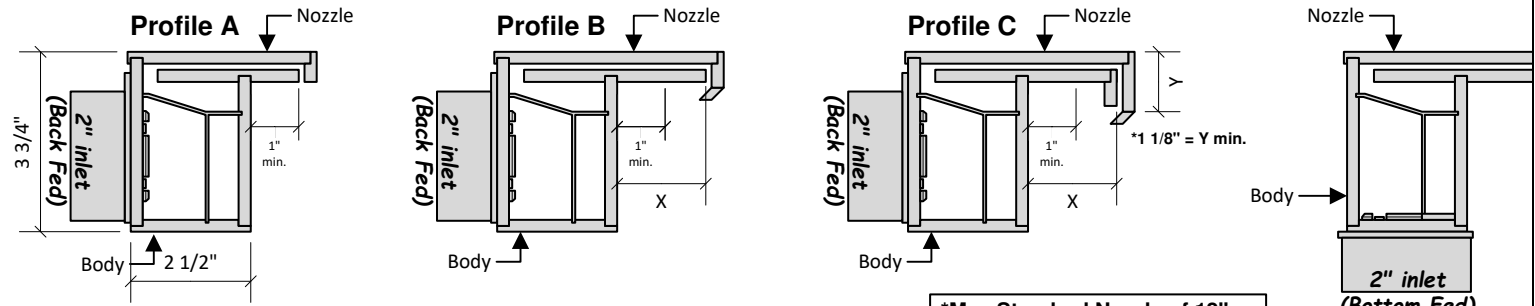
Builder Name:	Dist.:
Job Name:	Contact:
Phone:	Phone:
Email:	Email:

**Application descriptions:**

**Profile A** is the traditional Storm application where water exits directly down at end of nozzle as a sheet (1 gpm/in.); modified by SSR (see below) water can exit down in stream patterns.

**Profile B** is this same Storm application with an angled deflector to create a Wet Wall, where "X" can be modified for thickness of wall.

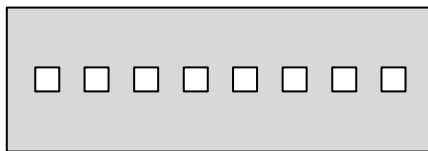
**Profile C** provides that both "X" & "Y" lengths can be modified to customize a Wet Wall to a designer's specific need.



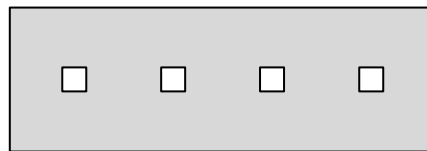
**\*Profiles B & C** are custom fabrications subject to custom shop's lead time. \*Max Standard Nozzle of 12"  
\*Max Standard Length of 96"

1. Which Profile: _____	5. Back Fed or Bottom Fed (circle):    Back    Bottom	<b>Circle a Nozzle Color:</b>  White    Black    Gray    Tan <small>(circle one)</small>  Bronze    Silver    Copper
2. Unit Length: _____	6. "X" Length: _____ (Profile B & C)	
3. Nozzle Length: _____ (Profile A) only	7. "Y" Length: _____ (Profile C) only	
4. How many units do you need: _____	<b>*Flow Rate* for Profile B &amp; C can range from 1/2-1 gpm/in. based on designer preference.</b>	

**Available for Profile A only, Circle One:**



SSR .5 gpm/in.



SSR .25 gpm/in.

<input type="checkbox"/> <b>PAL LED color changing lighting strip to down light ribbon of water from fixture</b>	<input type="checkbox"/> <b>PAL integrating Driver/transformer</b>
<small>(check box)</small>	<small>(check box)</small>

**\*Every fixture can be fabricated on the radius of the structure; ask us about it!**

	P.O. Box 5375 Spring Hill, FL 34611 Ph: (888) 683-0042 Fax: (877) 683-3442 Email: sales@gawcinc.com www.gawcinc.com	To Be Completed by: Great American Waterfall Co.
	Product Number	Price