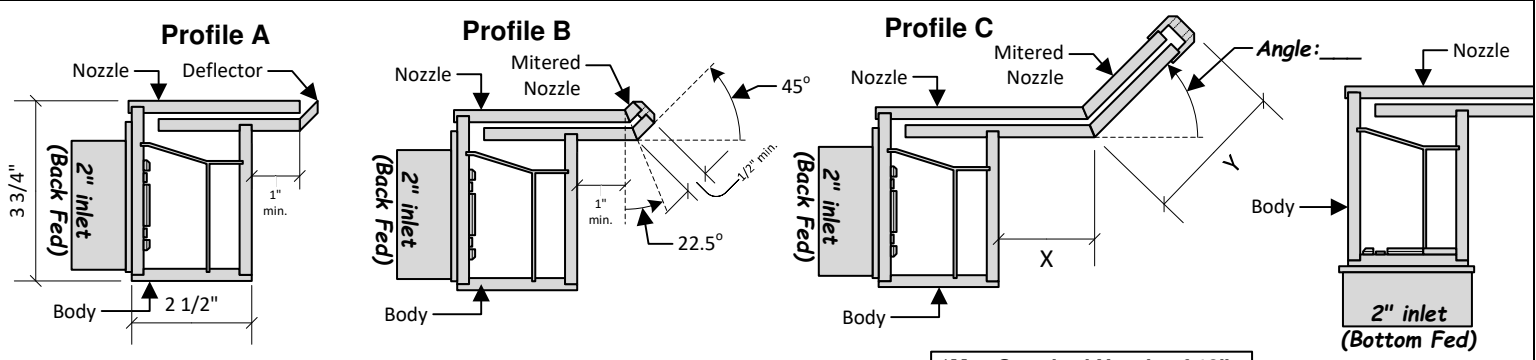


Aqua Wave Guideline Form (GA04)

Date: / /

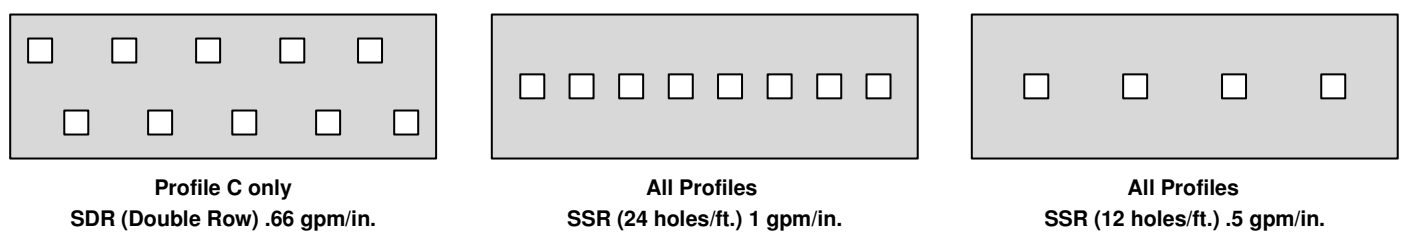
Builder Name (REQUIRED):	Dist.:
Job Name (REQUIRED):	Contact:
Phone:	Phone:
Email:	Email:



***Profile C is a custom fabrications subject to custom shop's lead time.** ***Max Standard Nozzle of 12"**
***Max Standard Length of 96"**

Application descriptions:
Profile A is the traditional Wave application where water exits end of nozzle as an arc sheet (2 gpm/in.)
Profile B is this same Wave application with a slightly longer nozzle to provide modified SSR (see rate below)
Profile C provides that "X" & "Y" lengths, along with angle, can be modified to customize a Wave discharge to a designer's specific need.

1. Which Profile: _____	5. Back Fed or Bottom Fed (circle): Back Bottom	Circle a Nozzle Color: White Black Gray Tan <i>*Hammered</i> Bronze Silver Copper
2. Unit Length: _____	6. "X" Length: _____ (Profile C)	
3. Nozzle Length: _____	7. "Y" Length: _____ (Profile C)	
4. How many units do you need: _____	8. Angle: _____ (Profile C)	



***Radius options are available**

**Debris within fixtures are not a material or workmanship related defect(s), and is/are not a warrantable claim. In-line strainer/filter can be installed as a preventative measure per plan as provided by project's design professional.*

**GAWC fixtures have recommended installation guidelines which can be found on our website or provided upon request by our office. Additional "means & method" of install should be provided by the licensed and insured contractor purchasing the product.*

**GAWC can be contacted for any custom fabrication or install, contact info provided below.*