

Aqua Wave Guideline Form (GA04)

Rev. 1/10/24

Date: / /

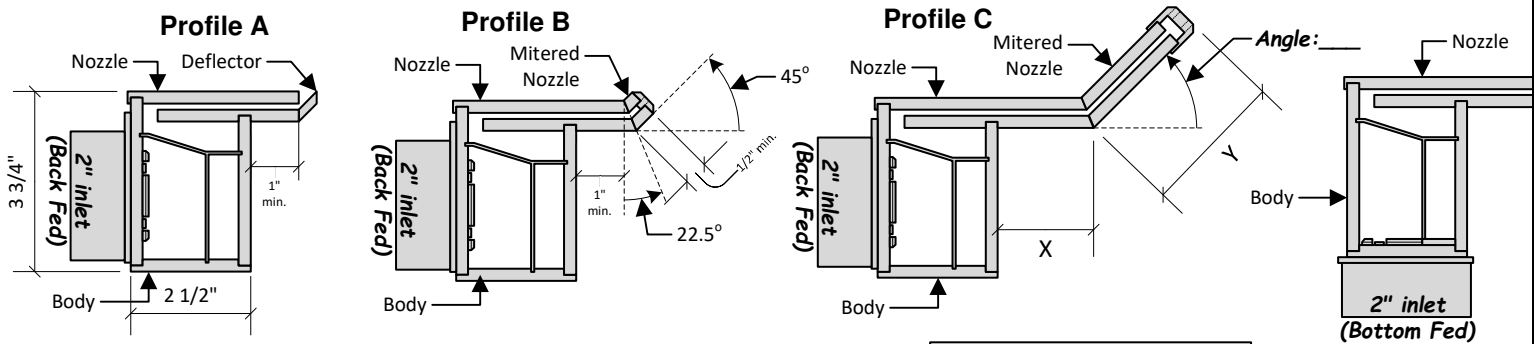
| | |
|---------------|----------|
| Builder Name: | Dist.: |
| Job Name: | Contact: |
| Phone: | Phone: |
| Email: | Email: |

Application descriptions:

Profile A is the traditional Wave application where water exits end of nozzle as an arc sheet (2 gpm/in.)

Profile B is this same Wave application with a slightly longer nozzle to provide modified SSR (see rate below)

Profile C provides that "X" & "Y" lengths, along with angle, can be modified to customize a Wave discharge to a designer's specific need.



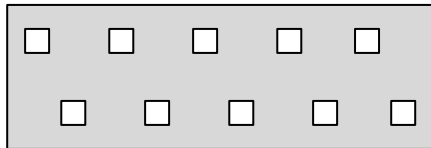
*Profile C is a custom fabrications subject to custom shop's lead time.

*Max Standard Nozzle of 12"
*Max Standard Length of 96"

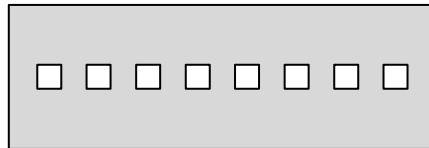
| | | |
|--------------------------------------|---|--|
| 1. Which Profile: _____ | 5. Back Fed or Bottom Fed (circle): Back Bottom | |
| 2. Unit Length: _____ | 6. "X" Length: _____ (Profile C) | |
| 3. Nozzle Length: _____ | 7. "Y" Length: _____ (Profile C) | |
| 4. How many units do you need: _____ | 8. Angle: _____ (Profile C) | |

Circle a Nozzle Color:

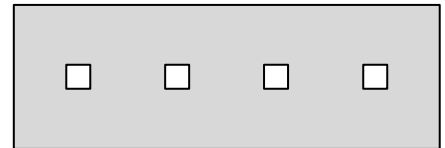
| | | | |
|-----------------------------|--------|--------|-----|
| White | Black | Gray | Tan |
| <small>(circle one)</small> | | | |
| Bronze | Silver | Copper | |



Profile C only
SDR .67 gpm/in.



Profiles B & C
SSR .5 gpm/in.



Profiles B & C
SSR .25 gpm/in.

***Every fixture can be fabricated on the radius of the structure; ask us about it!**

| | | | |
|--|---|--|--------------|
| | P.O. Box 5375 Spring Hill, FL 34611 Ph: (888) 683-0042 Fax: (877) 683-3442 Email: sales@gawcinc.com www.gawcinc.com | To Be Completed by: Great American Waterfall Co. | |
| | Product Number | Price | Availability |