

Aqua Zero Edge Guideline Form (ZEK01)

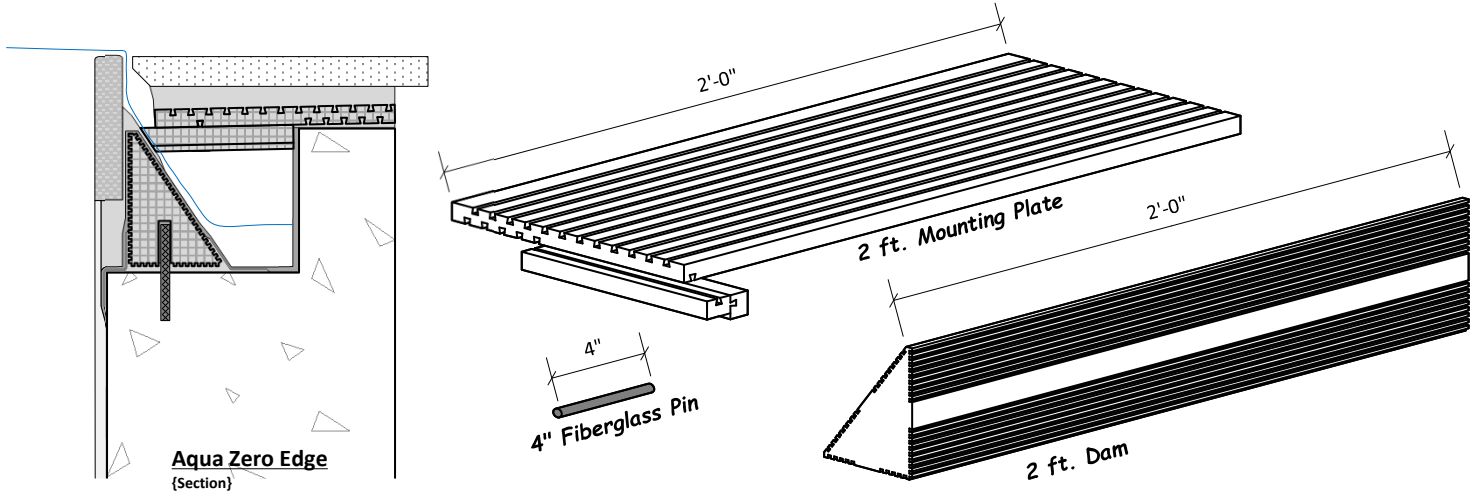
Rev. 1/10/24

Date: / /

Builder Name:	Dist.:
Job Name:	Contact:
Phone:	Phone:
Email:	Email:

Application descriptions:

1. Aqua Zero Edge system is provided in 2ft increments per unit. Each unit is boxed to include "Dam," "Mounting Plate," & (2) 4" fiberglass "Pins" to install a 2ft section of the perimeter.



Quick Calculator:

AZE

Perimeter of Zero Edge: _____ ÷ 2 (ft./unit) = _____ units + 1 (per 20 units) = _____ total units of AZE

Miracote MemC

Total Units of AZE: _____ ÷ 12 (AZE/unit) = _____ units + 1 (per 5 units) = _____ total units of MemC

PolyFabric

(1) 300 ft Roll: _____ ÷ 75 (AZE/Roll) = _____ round up to next Roll = _____ total Rolls of Poly Fabric

***We can customize AZE, so definitely give us a call for any questions. System works on curves too!**



P.O. Box 5375 Spring Hill, FL 34611
 Ph: (888) 683-0042
 Fax: (877) 683-3442
 Email: sales@gawcinc.com
 www.gawcinc.com

To Be Completed by: Great American Waterfall Co.

Product Number

Price

Availability