

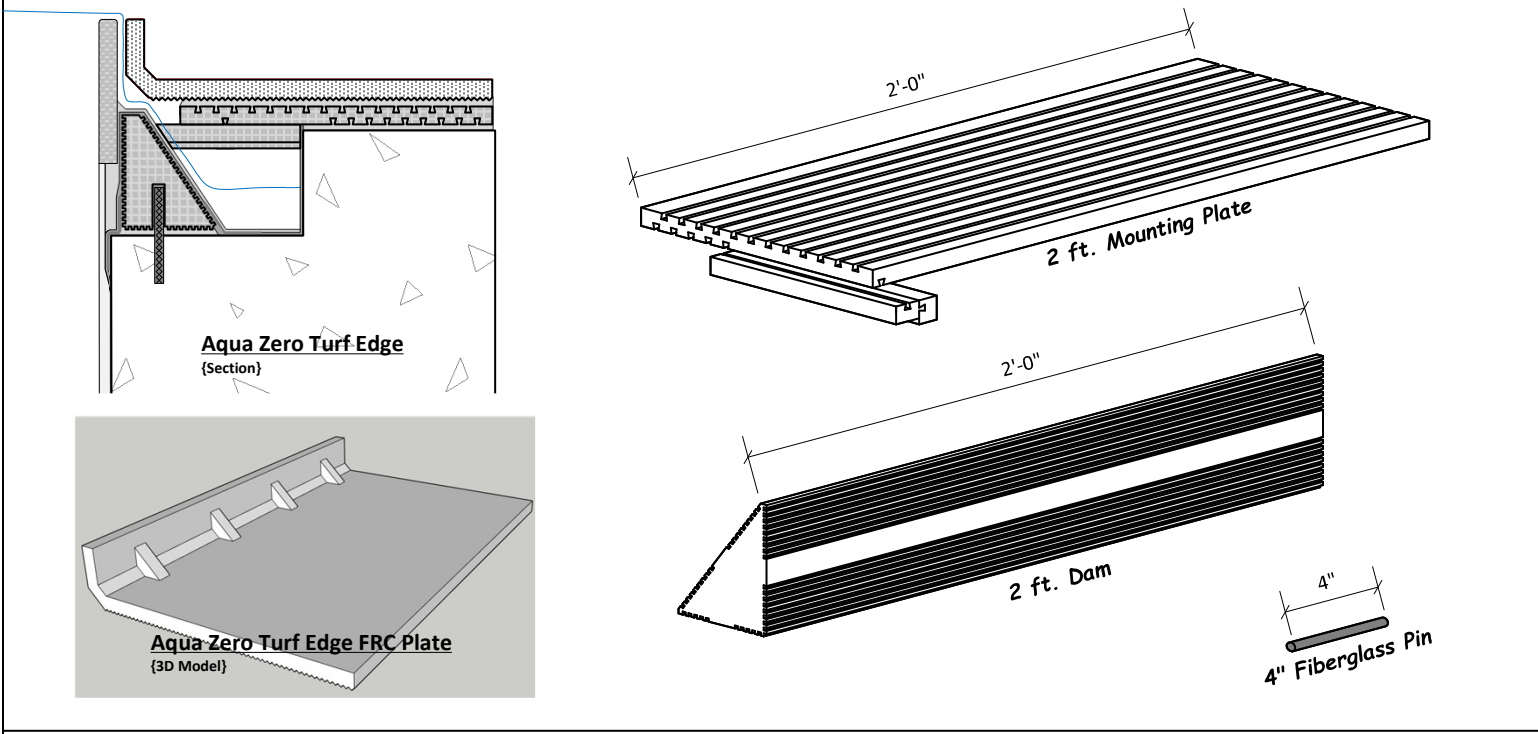
# Aqua Zero Turf Edge Guideline Form (ZEK02T) Rev. 1/10/24

Date:    /    /

Builder Name:	Dist.:
Job Name:	Contact:
Phone:	Phone:
Email:	Email:

**Application descriptions:**

1. Aqua Zero Turf Edge system is provided in 2ft increments per unit. Each unit is boxed to include "Dam," "Mounting Plate," & (2) 4" fiberglass "Pins" to install a 2ft section of the perimeter.
2. Fiber reinforced concrete Turf plates are fabricated & shipped separately.



**Quick Calculator:**

**AZE**  
 Perimeter of Zero Edge: \_\_\_\_\_ ÷ 2 (ft./unit) = \_\_\_\_\_ units + 1 (per 20 units) = \_\_\_\_\_ total units of AZE

**Miracote MemC**  
 Total Units of AZE: \_\_\_\_\_ ÷ 12 (AZE/unit) = \_\_\_\_\_ units + 1 (per 5 units) = \_\_\_\_\_ total units of MemC

**PolyFabric**  
 (1) 300 ft Roll: \_\_\_\_\_ ÷ 75 (AZE/Roll) = \_\_\_\_\_ round up to next Roll = \_\_\_\_\_ total Rolls of Poly Fabric